



5-in-1 water purifier for families

Experience a built-in water purifier powered by Aquaporin's unique purification technology. The new state-of-the-art A2O Bar dispenses purified, great-tasting, clean water. Engage your family to stay hydrated during the day with an exciting, healthy alternative to your usual beverages.

The A2O Bar is a stylistic addition to any lifestyle kitchen, offering purified ambient, cold, sparkling, hot, and ice cubes for your family and guests. Measure the quality of your water, enjoy the automatic cleaning, easy filter changing, and space-saving design are just some of the many features of the A2O Bar.

The A2O Bar with Aquaporin Inside® technology is the perfect appliance for your home, which offers the highest removal rates for water contaminants such as microplastics, pesticides, heavy metals, viruses, hormones, nitrate, PFAS, and more.

The A2O Bar is a water purifying system utilizing the Nobel-prize awarded discovery of the aquaporin protein embedded in its technology. A technology also used in space by NASA and the European Space Agency. Live, feel, and experience purified water from the A2O Bar, because water has never been cooler.

Smart monitoring

Easy control and monitoring of water quality, filter changes, plastic bottles saved, and much more with an app connection via WiFi.

Easy maintenance

Automatic weekly cleaning cycle that sterilizes the tanks where there could be a risk of accumulating bacteria.

Automatic leak detection

If the system detects a leak, it will simply shut off to minimize damage to the home.

Easy filter change

Quick-change filters - "lift and close" filters make filter replacement a breeze. Replace filters in seconds.

Compact luxury

The purifier is the same size as a built-in oven to secure easy installation. It produces purified ambient, cold, cold sparkling, hot water, and ice cubes. All with a drop of purified nature.

Reducing number of appliances

By having 5 functions in one machine, you minimize the number of appliances in your kitchen.

Aquaporin Inside® membrane

The DWRO® patented biomimetic membranes get their unique properties from their embedded aquaporin proteins- nature's water channels.

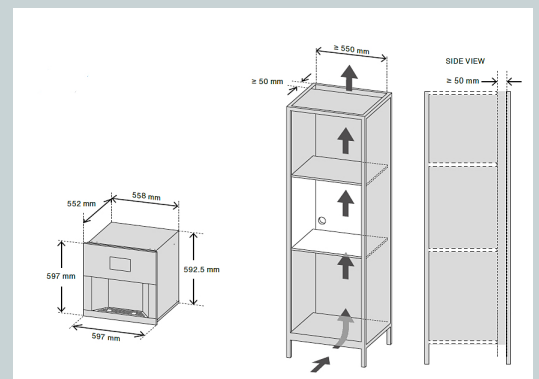
Safe and healthy water

A2O Bar provides the safest drinking water using the Aquaporin Inside® technology membranes, as proven in tests.



Technical Details

Type of product	Built-in appliance
Functions	Purified ambient, cold, sparkling, hot, and ice
Front display	7" LCD touch screen
Dimensions (HxWxD)	597 x 597 x 552 mm
Ambient tank capacity	4.6 L
Cold water capacity (5° C)	3.0 L
Sparkling capacity (5° C)	0.8 L
Hot capacity (90° C)	1.8 L
Ice capacity	0.5 kg
Wi-Fi connection + app	Yes
Automatic cleaning	Yes
Leak detector	Yes



Aquaporin A/S

Nymøllevej 78
2800 Kongens Lyngby
Denmark

Phone: +45 82 30 30 82
sales@aquaporin.com
aquaporin.com

Aquaporin Inside®